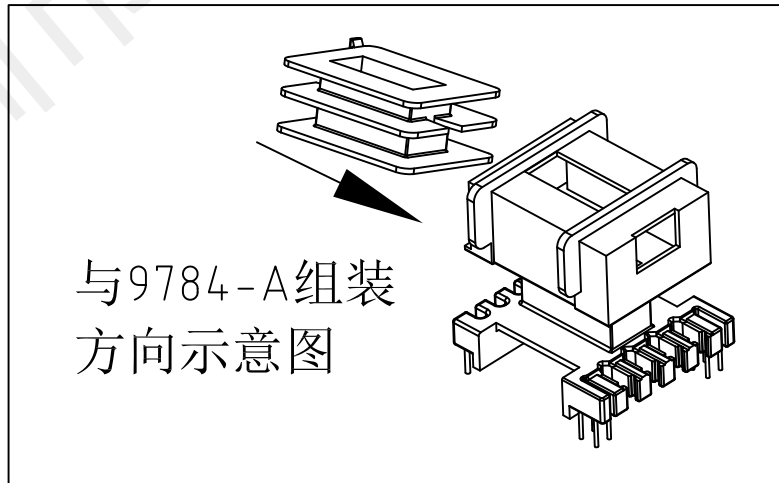
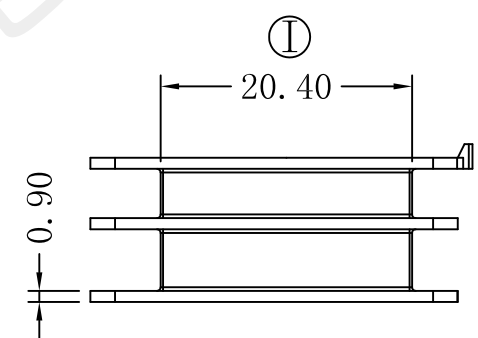
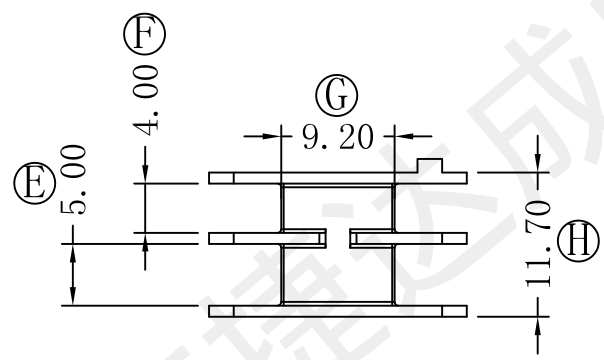
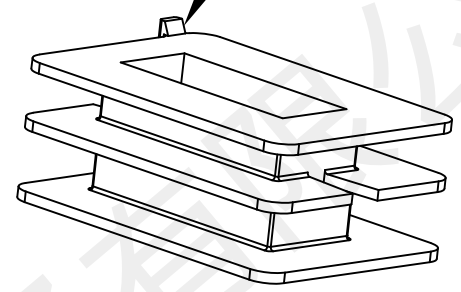


因两边不对称，  
增加防呆凸点来  
确认插入方向



REV	DATE	REVISIONS REC

深圳市捷达成电子有限公司 SHANZHEN JIEDACHENG ELECTRONICS CO., LTD. TEL: 0755-27317730 FAX: 0755-27317731			ANGLE: +/-1°	MODEL NAME: JDC-9784-B PIN		
DRAFTER L.R.J			UNIT: MM	UL REC: UL 94V-0	BOBBIN MATERIAL: PM-9823	
TOLERANCE 0<L<4 ±0.1 4<L<16 ±0.2 16<L<50 ±0.3 PIN PITCH ±0.2			SCALE: 4/1	PIN TENSION LOAD:	PIN MATERIAL:	
CHECKER Y.F.	DATE: 2018-06-04		DRAWING NO:		REV: 1.0	